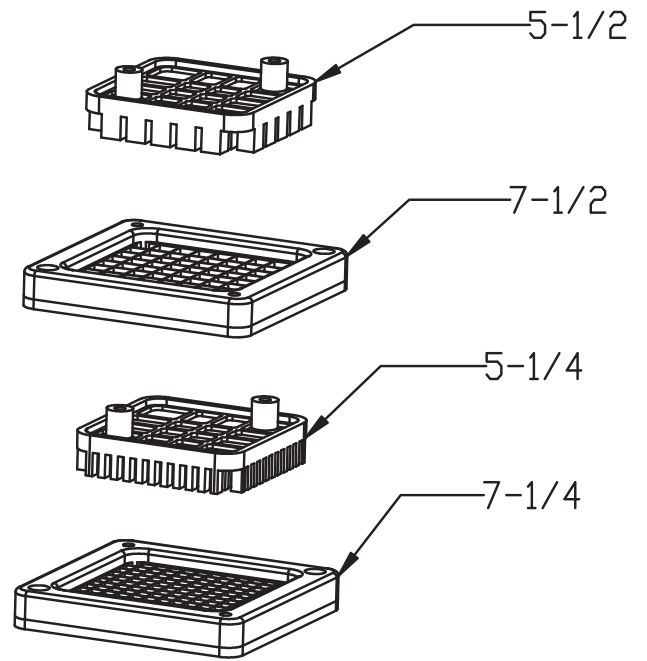
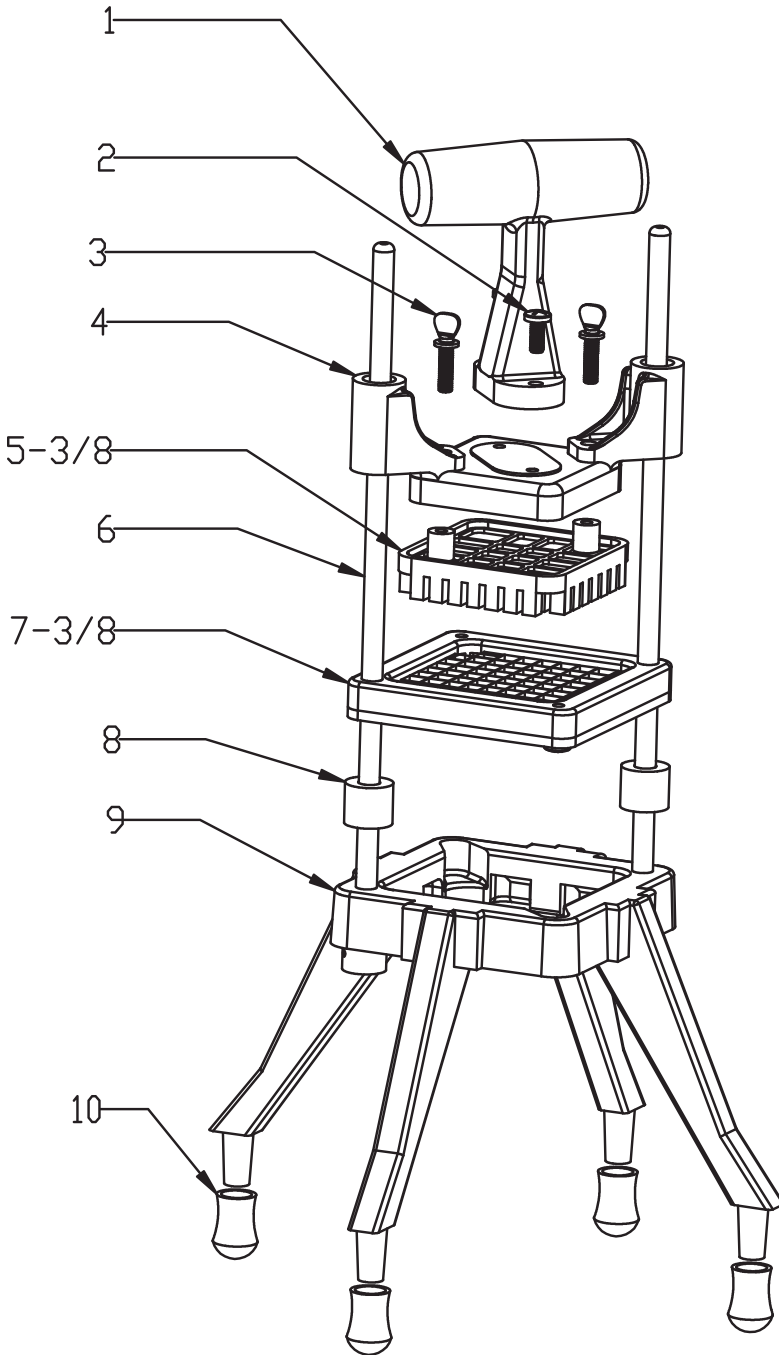


Parts Breakdown

Item 41860



Parts Breakdown

Item 41860

Item No.	Description	Position	Item No.	Description	Position	Item No.	Description	Position
77342	Handle for 41860	1	77347	Pusher Block 1/4 for 41860	5	77354	Frame for 41860	9
77343	Short Thread Screw for 41860	2	77349	Guide Rod for 41860	6	77355	Rubber Feet for 41860	10
77344	Long Thread Screw for 41860	3	77351	Cutting Blade 1/4 for 41860	7			
77345	Pusher Plate for 41860	4	77353	Ring for 41860	8			